

7.25" DUAL PORTED PBL BYPASS SYSTEM

Receiving PBL at Rigsite

1. On receipt of PBL Tools at Rigsite, the tools should be checked for the following:
 - PBL Serial Numbers located on ID band below ports on main body
 - Confirm rig end connections are as required
 - Confirm ball box matches tool size and number. Operating Instructions are included ball box
 - Shearing pressures for ball seat (Deactivation Pressure) and ports (Unlocking Pressure) are marked on tool and also on Tech Sheet included in packet
 - Confirm PBL activation ball will drift through drill string above PBL Tool
 - Confirm PBL No-Go will allow passage of required third party activation balls
 - It is recommended to drift third party ball thru PBL prior to inclusion in BHA
 - Remove tape covering PBL ports prior to RIH
2. If surface test is required, please contact your BICO Representative for instructions
3. If lock open will be required, please see PBL Auto-Lock Instructions in ball box or on website

Activation Procedure

1. **Prior to activating the tool, Record Pump Pressure _____ Pump Strokes _____.**
This will be used as a reference to confirm de-activation of the tool
2. Calculate the fluid displacement **volume and time** in the drillstring to estimate when the activation ball will reach the Bypass Tool
 - Break drillstring at floor and drop one (1) **2.0"** vinyl activation ball
 - It is recommended to fill the drill string with fluid prior to dropping the activation ball
3. Displace 70% of the volume inside the drillstring at normal drilling rates, and then reduce the pump rate to 25% (Max. 300 GPM) until the ball lands on the seat
 - The vinyl ball will often seat sooner than the calculated pump strokes
 - The vinyl activation ball has an equivalent density of 11.2 PPG drilling fluid
 - **NOTE: Care should be taken when pumping the vinyl ball down. Pumping the activation ball on seat at high fluid rates or pressures may cause the activation ball to blow through the seat**
 - In the event the ball does get blown through the seat, as indicated by pump pressure/strokes the same as step one, follow De-Activation Procedure below to ensure the vinyl activation ball has gone through the seat. **This step must be done prior to dropping another activation ball**
 - Repeat the normal tool activation process to open the tool

4. When the activation ball lands on-seat, the Sleeve will shift to its open position against the spring with pump pressure. The activation ball will not float off of the seat if pumping is discontinued
 - **NOTE: IT TAKES LESS THAN 250 PSI TO ACTIVATE /OPEN THE TOOL**
 - Surface indication of the tool being in the open position is a pressure drop. **Compare pump pressure/strokes to rates and pressures recorded in step one.** Once the tool is open, pump rates can be increased to the desired rate above the ball deactivation shearing pressure. High pump rates/PSI will not push the ball through the seat and deactivate the tool. The deactivation pressure, marked on the tool and on Tech Sheet, only applies after the steel balls have been dropped to deactivate the tool
 - Fluid will now be diverted through the side ports. As long as pumping is continuous, fluid will be diverted through the ports. If pumping is halted, the sliding sleeve will shift to the closed position. When pumping resumes, the sleeve will shift open again allowing fluid diversion through the ports of the PBL Tool
 - It is recommended a constant, high pump rate be maintained while the tool is in the open position. **If low flow rates, low differential pressures between drill pipe and annulus, bullheading, squeezing or similar low flow operations are required, it is recommended to deactivate the PBL Tool before commencing such operations**
 - Rotating and reciprocating the drillstring is good practice while activating and deactivating the PBL Tool

De-Activation Procedure

1. Break the drillstring at rig floor and drop 2 steel **1 3/8"** de-activation balls. It is good practice to drop the second steel ball 5-10 seconds after the first one
2. After dropping the steel de-activation balls, immediately start pumping at 50% of the normal flow rates (200 GPM minimum) keeping the pump pressure 1000 psi below PBL deactivation pressure and watch for a pressure increase
 - When the steel balls reach the PBL Tool, they will restrict flow through the ports creating an immediate pressure increase. Bring the pressure up as quickly as possible. Do not slow or stop flow rates
 - **The vinyl ball should blow through the seat at +/- 10% of stated shear pressure depending upon down hole conditions**
 - A pressure decrease is an indication the vinyl activation ball has blown through the seat and into the ball catcher. The steel balls will follow into the ball catcher
3. After the vinyl ball shears through the seat, the sleeve will move to the closed position. Circulation will now be through the BHA
4. When pumping is resumed, check that the pressure and strokes are the same as they were prior to activating the PBL Tool (See data recorded in step one, above)

NOTE: After tripping out of the hole, the balls must be removed from the ball catcher sub before RIH again. **The used vinyl activation balls should be immediately discarded and NEVER RE-RUN.** It is not recommended to TIH with balls in cage

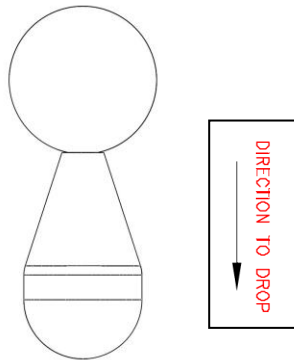
Date Issued: 07/01/2014	Revision Number: 2	Page 2 of 4
Issued By: Richard Earle	Revision Date: 07/01/2017	Doc. No.: PBL-OI-725DP

If required, ensure float valve is in BHA below PBL or finger trap has been installed in cage to prevent movement of balls. Consult BICO if situation arises. **If the PBL sub is to be rerun after being activated, it is strongly recommended to deactivate the tool prior to tripping out of the hole**

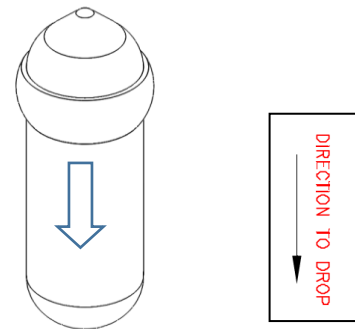
Emergency Weighted Darts with Vinyl Balls or “Fast Darts”

A Weighted Dart inserted in a **2.0”** vinyl ball or a **2.0”** Fast Dart is supplied as part of the package of operating balls. **These Darts are to be utilized only in cases where it is not possible to pump down the Vinyl Ball.** These ball/darts weigh approximately 6-7 times greater than the standard activation ball to facilitate activation of the PBL sub when limited or no circulation is possible. **These ball/darts MUST be dropped in direction indicated below down the drillstring when activating the tool.** It is not recommended to utilize the ball/dart in well bores with angles greater than 55° if pumping is not possible

Weighted Ball/Dart



Fast Dart



If Fast Dart is utilized in conditions when circulation is possible, the maximum flow rate is 150 GPM when pumping down Dart. If deactivation is required, use same procedure as above. Each activation by Fast Dart reduces the total available cycles by one

Should there be any questions regarding the operational procedures of the PBL Tool please contact BICO Drilling Tools or visit our website at: www.bicodrilling.com

Contacts: BICO Drilling Tools, Inc

Corporate Headquarters and Service Center - Houston, Texas

1604 Greens Road
Houston, TX 77032
Phone: 281-590-6966, 877-779-2426
Fax: 281-590-2280
e-mail: sales@bicodrilling.com

**Southeast Service Center
Broussard, Louisiana**

303 Ida Road
Broussard, LA 70518
Phone: 337-839-1133 Fax: 337-839-1143

**Mid-Continent Service Center
Oklahoma City, Oklahoma**

1901 S.E. 22nd Street
Oklahoma City, OK 73129
Phone: 405-677-5877 Fax: 405-677-5218

**Rocky Mountains Service Center
Casper, Wyoming**

1849 Pyrite
Casper, WY 82604
Phone: 307-237-1420, 888-437-1420
Fax: 307-237-1419

Date Issued: 07/01/2014	Revision Number: 2	Page 3 of 4
Issued By: Richard Earle	Revision Date: 07/01/2017	Doc. No.: PBL-OI-725DP

Permian Basin Service Center
Midland, Texas
 3707 S. County Rd. 1210
 Midland, TX 79706
 Phone: 432-563-3500 Fax: 432-563-1300

Northeast Service Center
Buckhannon, West Virginia
 271 Weatherford Blvd.
 Buckhannon, WV 26201
 Phone: 304-460-7304 Fax: 304-460-7307

PBL OPERATIONAL SEQUENCE

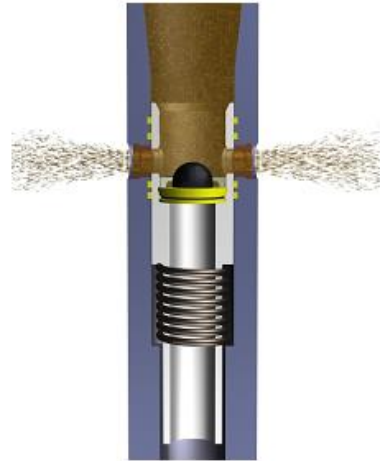
PBL ACTIVATION



Drilling Mode
FLOW to BIT



Activation Ball
Seated



Open Position
FLOW THRU PORT

PBL DEACTIVATION



De-Activation
Balls Dropped
PRESSURE UP



Balls Sheared Thru
Seat Tool Reset



Drilling Mode
FLOW to BIT